

# Newmar Corporation

PO Box 30  
Nappanee, IN 46550



WHEN YOU KNOW THE DIFFERENCE.

**RSB 550**  
**Sep. 17, 2019**

**NHTSA #19V 610**  
**TC #2019-417**

## RECALL SERVICE BULLETIN

### AFFECTED MODELS

2018-2020 :: Mountain Aire, Essex, King Aire

### DESCRIPTION

On certain motorhomes, the bedroom fascia header has the potential to fall unexpectedly on top of the bed mattress.

### ISSUE

This has potential to cause harm/injury if a person is on the bed mattress.

### CORRECTIVE ACTION

Newmar dealers will secure the bedroom fascia header.

### UNITS AFFECTED

Please refer to the attached population list for the affected production numbers and VINs.

### REPAIR PROCEDURE

Follow the attached work instructions.

### CUSTOMER ACTION

Contact the Newmar Customer Service Department at 800-731-8300. A brand specialist will assist in making an appointment to have the repair procedure completed by an Authorized Newmar Service Center.

### DEALER ACTION

Contact your Newmar Service Account Manager to obtain authorization and to order parts. Follow the attached instructions to add brackets to the fascia assembly.

**FLAT RATE CODE:** 19V 610

**LABOR TIME:** .5 hr.

**IMPORTANT:** Please read this bulletin in its entirety prior to beginning any diagnosis or repairs.

NOTICE: Any technical information published in this bulletin is intended for use only by a qualified, Newmar-authorized service technician. Newmar is not responsible for the misuse of this information.



WHEN YOU KNOW THE DIFFERENCE

# NEWMAR CORPORATION

NEWMARCORP.COM

Date: September 10, 2019  
Re: Newmar Corporation – Motor Vehicle Recall Notification

---

Subject: Recall Campaign No.: 19V 610

This notice is sent to you as a Newmar Dealer in accordance with the requirements of the National Traffic and Motor Vehicle Safety Act. Newmar Corporation has decided that a defect, which relates to motor vehicle safety, exists in specific Newmar recreational vehicles.

The National Traffic and Motor Vehicle Safety Act requires that each vehicle, which is subject to a recall campaign of this type, must be satisfactorily repaired within a reasonable time after the owner has tendered it for repair. A failure to adequately repair within 60 days after tender of a vehicle is prima facie evidence of failure to repair within a reasonable time. To avoid providing these problematic solutions, every effort must be made to promptly schedule an appointment with each owner and to repair their vehicle as soon as possible. Vehicle owners are being notified of this recall. If the condition is not remedied within a reasonable time, they are instructed on how to contact the National Highway Traffic Safety Administration.

## **REASON FOR THIS RECALL**

*Newmar Corporation has decided that a defect, which relates to motor vehicle safety, exists in specific motorhomes.*

On certain motorhomes, the bedroom fascia header has potential to fall unexpectedly on top of the bed mattress. This has potential to cause harm/injury if a person is on the bed mattress. Correction: Newmar Dealers will properly secure the loose fascia header.

**The motorhomes require immediate service. Continued use poses a potential safety hazard.**

## **DEALER CAMPAIGN RESPONSIBILITY**

*Dealers are to provide to all customers/owner vehicles the service of completing this campaign at no charge to the customer/owner regardless of vehicle age, vehicle mileage, or ownership at the time of repair.*

## **REPAIR PROCEDURE**

Newmar will provide the work instructions.

**If you should have any questions please contact your service account manager direct or the Newmar service department at: 1-866-290-5371.**

Thank you for your cooperation.

Sincerely,

Newmar Corporation



WHEN YOU KNOW THE DIFFERENCE

# NEWMAR CORPORATION

NEWMARCORP.COM

## IMPORTANT SAFETY RECALL

This notice applies to your vehicle VIN. # \_\_\_\_\_

Name

Address

City, State Zip code

Date: September 10, 2019

Motor Vehicle Recall Notification - Recall Campaign No. 19V 610

Dear Valued Customer:

This notice is sent to you in accordance with the requirements of the National Traffic and Motor Vehicle Safety Act.

### **REASON FOR THIS RECALL**

*Newmar Corporation has decided that a defect, which relates to motor vehicle safety, exists in specific motorhomes.*

On certain motorhomes, the bedroom fascia header has potential to fall unexpectedly on top of the bed mattress. This has potential to cause harm/injury if a person is on the bed mattress. Correction: Newmar Dealers will properly secure the loose fascia header.

**The motorhomes require immediate service. Continued use poses a potential safety hazard.**

### **The Safety Risk**

The bedroom fascia header has potential to fall unexpectedly on top of the bed mattress. This has potential to cause harm/injury if a person is on the bed mattress.

### **WHAT WE WILL DO**

Newmar Corporation will provide owners of all affected motorhomes a remedy for the potential defect at no charge for parts or labor. This repair will take approximately .5 hour.

### **WHAT YOU NEED TO DO**

As this defect does affect motor vehicle safety, it is recommended that you contact the Newmar service department immediately at **1-800-731-8300**. An associate will assist you in making an appointment to have this repair done by authorized Newmar Dealers.

**Federal regulations require that any vehicle lessor receiving this recall notification must forward a copy of this notice to the lessee within ten days.**

*If you have had the repair performed before receiving this letter, you may be eligible to receive reimbursement for the cost of obtaining a pre-notification remedy. For additional information, contact Newmar Corporation at:*

**Service Department**  
Newmar Corporation  
355 N Delaware St  
Nappanee, IN 46550-0030

Newmar dealers are best equipped to obtain parts and provide service to ensure your vehicle is corrected as promptly as possible. **HOWEVER**, if you take your vehicle to your dealer on the scheduled date and this condition is not remedied on that date or within five days; please contact the Newmar Corporation Customer Service

Department at 1-800-731-8300. You may also submit a complaint to the Administrator, National Highway Traffic Safety Administration, 1200 New Jersey Ave., SE., Washington DC 20590; or call the toll-free Vehicle Safety Hotline at 1-888-327-4236 (TTY: 1-800-424-9153); or go to <http://www.safercar.gov>.

If you no longer own this vehicle, please furnish us the complete name and address of the person or dealership you sold or traded your vehicle to. Thank you for your cooperation.

Your safety and satisfaction with your Newmar product is important to us and we regret any inconvenience to you.

Sincerely,

Newmar Corporation



Date: September 10, 2019  
Re: Newmar Corporation – Motor Vehicle Recall Notification

---

Subject: Recall Campaign No.: 2019-417

This notice is sent to you as a Newmar Dealer in accordance with the requirements of the *Canada Motor Vehicle Safety Act*. Newmar Corporation has decided that a defect, which relates to motor vehicle safety, exists in specific Newmar recreational vehicles.

Each vehicle, which is subject to a recall campaign of this type, must be satisfactorily repaired within a reasonable time after the owner has tendered it for repair. A failure to adequately repair within 60 days after tender of a vehicle is prima facie evidence of failure to repair within a reasonable time. To avoid providing these problematic solutions, every effort must be made to promptly schedule an appointment with each owner and to repair their vehicle as soon as possible. Vehicle owners are being notified of this recall. If the condition is not remedied within a reasonable time, they are instructed to contact Transport Canada.

### **REASON FOR THIS RECALL**

*Newmar Corporation has decided that a defect, which relates to motor vehicle safety, exists in specific motorhomes.*

#### *Issue:*

*On certain motorhomes, the decorative trim in the bedroom could fall onto the bed.*

#### *Safety Risk:*

*If this occurs while someone is in the bed, it could increase the risk of injury.*

#### *Corrective Actions:*

*Newmar will notify owners by mail and instruct them to take their motorhome to a dealership to have the decorative trim properly secured.*

**The motorhomes require immediate service. Continued use poses a potential safety hazard.**

### **DEALER CAMPAIGN RESPONSIBILITY**

***Dealers are to provide to all customers/owner vehicles the service of completing this campaign at no charge to the customer/owner regardless of vehicle age, vehicle mileage, or ownership at the time of repair.***

### **REPAIR PROCEDURE**

Newmar will provide the work instructions.

**If you should have any questions please contact your service account manager direct or the Newmar service department at: 1-866-290-5371.**

Thank you for your cooperation.

Sincerely,

Newmar Corporation



WHEN YOU KNOW THE DIFFERENCE

VIN#  
Name  
Address  
City, State Zip code

Date: September 10, 2019  
Motor Vehicle Recall Notification - Recall Campaign No. 2019-417

---

Dear Valued Customer:

This notice is sent to you in accordance with the requirements of the *Canada Motor Vehicle Safety Act*.

**REASON FOR THIS RECALL**

*Newmar Corporation has determined that a defect, which relates to motor vehicle safety, exists in specific motorhomes.*

*Issue:*

*On certain motorhomes, the decorative trim in the bedroom could fall onto the bed.*

*Safety Risk:*

*If this occurs while someone is in the bed, it could increase the risk of injury.*

*Corrective Actions:*

*Newmar will notify owners by mail and instruct them to take their motorhome to a dealership to have the decorative trim properly secured.*

**The motorhomes require immediate service. Continued use poses a potential safety hazard.**

**WHAT WE WILL DO**

Newmar Corporation will provide owners of all affected motorhomes a remedy for the potential defect at no charge for parts or labor.

**WHAT YOU NEED TO DO**

As this defect does affect motor vehicle safety, it is recommended that you contact the Newmar service department immediately at **1-800-731-8300**. An associate will assist you in making an appointment to have this repair done by an authorized Newmar Dealer.

**Federal regulations require that any vehicle lessor receiving this recall notification must forward a copy of this notice to the lessee within ten days.**

*If you have had the repair performed before receiving this letter, you may be eligible to receive reimbursement for the cost of obtaining a pre-notification remedy. For additional information, contact Newmar Corporation at:*

**Service Department**  
Newmar Corporation  
355 N Delaware St  
Nappanee, IN 46550-0030

Newmar dealers are best equipped to obtain parts and provide service to ensure your vehicle is corrected as promptly as possible. HOWEVER, if you take your vehicle to your dealer on the scheduled date and this condition is not remedied on that date or within five days; please contact the Newmar Corporation Customer Service Department at 1-800-731-8300.

If you no longer own this vehicle, please furnish us the complete name and address of the person or dealership you sold or traded your vehicle to. Thank you for your cooperation.

Your safety and satisfaction with your Newmar product is important to us and we regret any inconvenience to you.

Sincerely,

Newmar Corporation



WHEN YOU KNOW THE DIFFERENCE

NIV  
Nom  
Adresse  
Ville, province, code postal

Date : 10 septembre 2019  
Avis de rappel visant un véhicule motorisé – Campagne de rappel n° 2019-417

---

Madame, Monsieur,

Le présent avis vous est envoyé conformément aux exigences de la *Loi sur la sécurité automobile du Canada*.

**MOTIF DU PRÉSENT RAPPEL**

*Newmar Corporation a déterminé qu'une défaillance relevant de la sécurité automobile existe pour certaines autocaravanes.*

*Problème :*

*La garniture décorative située dans la chambre à coucher de certaines autocaravanes pourrait tomber sur le lit.*

*Risque en matière de sécurité :*

*Les risques de blessure pourraient être plus importants si cette situation se produit lorsqu'une personne est dans le lit.*

*Mesures correctives :*

*Newmar informera les propriétaires par courriel pour leur indiquer d'apporter leur autocaravane chez un concessionnaire afin de faire fixer correctement la garniture décorative.*

**Il est impératif que les réparations sur ces autocaravanes soient effectuées immédiatement. Le fait de continuer à utiliser le véhicule entraîne un risque d'accident potentiel.**

**CE QUE NOUS FERONS**

Newmar Corporation fournira aux propriétaires de toutes les autocaravanes concernées une solution gratuite (pour les pièces et la main-d'œuvre) à la défaillance potentielle.

**CE QUE VOUS DEVEZ FAIRE**

Puisque cette défaillance touche la sécurité automobile, nous vous recommandons de communiquer immédiatement avec le service technique de Newmar en composant le **1-800-731-8300**. Un associé vous aidera à prendre rendez-vous aux fins d'exécution de cette réparation par un concessionnaire Newmar autorisé.

**En vertu de règlements fédéraux, tout donneur à bail d'un véhicule, qui reçoit le présent avis de rappel, est tenu d'en acheminer une copie au preneur à bail dans un délai de dix jours.**

*Si les réparations ont été effectuées avant réception de la présente lettre, vous pouvez être admissible à un remboursement des frais liés à l'obtention de la solution adoptée avant réception du présent avis. Pour de plus amples renseignements, communiquez avec Newmar Corporation à l'adresse suivante :*

**Service Department**  
Newmar Corporation  
355 N Delaware St  
Nappanee, IN 46550-0030



Les concessionnaires Newmar sont les plus à même de fournir du service et d'obtenir des pièces qui assureront une réparation de votre véhicule dans les plus brefs délais. CELA DIT, si vous apportez votre véhicule à votre concessionnaire à la date prévue et que le problème n'est pas résolu à cette date ou dans les cinq jours qui suivent, veuillez communiquer avec le service à la clientèle de Newmar Corporation en composant le 1-800-731-8300.

Si vous n'êtes plus le propriétaire de l'autocaravane, nous vous prions de bien vouloir nous fournir le nom complet et l'adresse complète de la personne ou du concessionnaire à qui vous l'avez vendue ou avec qui vous l'avez échangée. Nous vous remercions de votre coopération.

Votre sécurité et votre satisfaction par rapport à nos produits Newmar sont importantes pour nous, et nous sommes désolés de tout désagrément occasionné.

Veuillez agréer, Madame, Monsieur, l'expression de nos sentiments distingués.

Newmar Corporation

## Recall 19V 610 Work Instructions: Securing the Bedroom Fascia Header

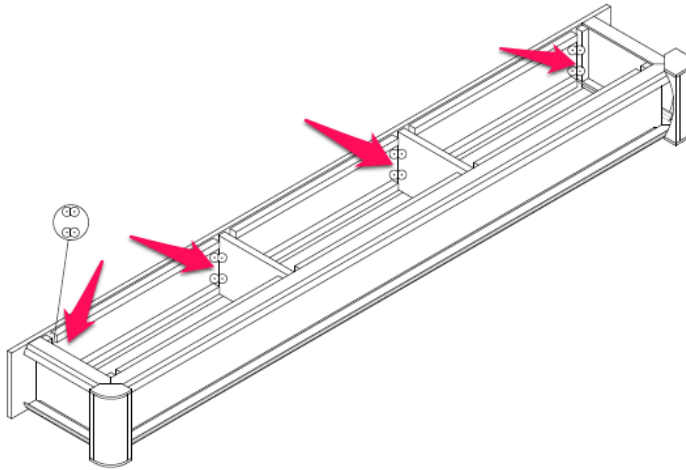
1. Order eight brackets (Newmar part # 62122) and 16 screws (5/8", Newmar part # 138326).



2. Pull down the padded panel from the bedroom fascia header. It is secured using black Southco latches.



3. Add two corner brackets to each of the bedroom fascia header boards using two 5/8" screws per bracket (see drawing).



4. Reinstall the padded bottom panel. Some models may have a piece of trim along the bottom of the padded panel that needs to be removed and reinstalled in order for the latches to line up and latch securely.

Note: The allotted time for this procedure is .5 hours. If the top fascia is loose from the slideout, secure it, and file a separate claim. Securing the fascia to the slideout is not part of the recall.

Prod#	VIN Number	Year	Brand	Type	Floor	Chassis	Date In	Date Off
<b>USA Units</b>								
530407	4VZVU1E99JC082865	2018	KG	DB	4534	S	1/16/2017	1/24/2017
530414	4VZVU1E92JC082867	2018	KG	DB	4531	S	2/21/2017	3/1/2017
530421	4VZVU1E9XJC083779	2018	KG	DB	4531	S	5/23/2017	6/5/2017
530423	4VZVU1E93JC084806	2018	KG	DB	4531	S	1/15/2018	1/22/2018
530424	4VZVU1E93JC084420	2018	KG	DB	4553	S	10/12/2017	10/20/2017
530426	4VZVU1E91JC084335	2018	KG	DB	4553	S	9/21/2017	9/29/2017
530427	4VZVU1E91JC083881	2018	KG	DB	4531	S	6/9/2017	6/19/2017
530428	4VZVU1E90JC083788	2018	KG	DB	4531	S	6/2/2017	6/12/2017
530429	4VZVU1E91JC083900	2018	KG	DB	4531	S	6/19/2017	6/28/2017
530430	4VZVU1E90JC083953	2018	KG	DB	4531	S	7/14/2017	7/27/2017
530431	4VZVU1E98JC084011	2018	KG	DB	4534	S	7/24/2017	8/1/2017
530432	4VZVU1E99JC084180	2018	KG	DB	4531	S	8/25/2017	9/1/2017
530433	4VZVU1E91JC084089	2018	KG	DB	4553	S	8/9/2017	8/17/2017
530434	4VZVU1E95JC084306	2018	KG	DB	4531	S	9/15/2017	9/25/2017
530435	4VZVU1E96JC084735	2018	KG	DB	4553	S	12/14/2017	1/8/2018
530436	4VZVU1E97JC084873	2018	KG	DB	4553	S	2/1/2018	2/9/2018
530437	4VZVU1E95JC084077	2018	KG	DB	4531	S	7/31/2017	8/8/2017
530438	4VZVU1E93JC084398	2018	KG	DB	4531	S	10/2/2017	10/10/2017
530439	4VZVU1E92JC084179	2018	KG	DB	4534	S	8/22/2017	8/30/2017
530440	4VZVU1E90JC084407	2018	KG	DB	4531	S	10/4/2017	10/12/2017
530441	4VZVU1E94JC084765	2018	KG	DB	4553	S	1/8/2018	1/16/2018
530442	4VZVU1E93JC083901	2018	KG	DB	4531	S	6/26/2017	7/12/2017
530443	4VZVU1E9XJC084155	2018	KG	DB	4553	S	8/17/2017	8/24/2017
530444	4VZVU1E99JC083966	2018	KG	DB	4531	S	7/17/2017	7/25/2017
530445	4VZVU1E92JC083954	2018	KG	DB	4534	S	7/10/2017	7/18/2017
530446	4VZVU1E9XJC084088	2018	KG	DB	4534	S	8/8/2017	8/15/2017
530447	4VZVU1E93JC084336	2018	KG	DB	4533	S	9/26/2017	10/4/2017
530448	4VZVU1E99JC084681	2018	KG	DB	4553	S	11/22/2017	12/4/2017
530449	4VZVU1E97JC084680	2018	KG	DB	4533	S	12/4/2017	12/11/2017
530450	4VZVU1E93JC084188	2018	KG	DB	4553	S	8/30/2017	9/8/2017
530451	4VZVU1E92JC084408	2018	KG	DB	4531	S	10/10/2017	10/18/2017
530452	4VZVU1E98JC084154	2018	KG	DB	4531	S	8/14/2017	8/21/2017
530453	4VZVU1E90JC084245	2018	KG	DB	4553	S	9/6/2017	9/14/2017
530454	4VZVU1E95JC084807	2018	KG	DB	4531	S	1/23/2018	1/31/2018
530455	4VZVU1E99JC084244	2018	KG	DB	4531	S	8/31/2017	9/11/2017
530456	4VZVU1E90JC084679	2018	KG	DB	4534	S	11/30/2017	12/8/2017
530458	4VZVU1E93JC084305	2018	KG	DB	4534	S	9/8/2017	9/18/2017
530459	4VZVU1E9XJC084642	2018	KG	DB	4531	S	11/9/2017	11/17/2017
530460	4VZVU1E95JC084421	2018	KG	DB	4531	S	10/19/2017	10/27/2017
530461	4VZVU1E97JC084520	2018	KG	DB	4531	S	10/24/2017	11/1/2017
530462	4VZVU1E97JC084422	2018	KG	DB	4533	S	10/23/2017	10/31/2017
530463	4VZVU1E92JC084554	2018	KG	DB	4533	S	10/31/2017	11/8/2017
530464	4VZVU1E91JC084397	2018	KG	DB	4534	S	9/27/2017	10/5/2017
530468	4VZVU1E96JC084766	2018	KG	DB	4534	S	1/11/2018	1/18/2018
530471	4VZVU1E91JC084660	2018	KG	DB	4598	S	11/20/2017	11/30/2017
530472	4VZVU1E99JC084521	2018	KG	DB	4531	S	10/27/2017	11/6/2017
530473	4VZVU1E93JC084644	2018	KG	DB	4534	S	11/16/2017	11/28/2017

Prod#	VIN Number	Year	Brand	Type	Floor	Chassis	Date In	Date Off
530474	4VZVU1E91JC084819	2018	KG	DB	4531	S	1/29/2018	2/5/2018
530475	4VZVU1E97JC084937	2018	KG	DB	4531	S	2/15/2018	2/22/2018
530476	4VZVU1E92JC084764	2018	KG	DB	4531	S	12/18/2017	1/10/2018
530478	4VZVU1E91JC084643	2018	KG	DB	4534	S	11/14/2017	11/22/2017
530481	4VZVU1E94JC084734	2018	KG	DB	4553	S	12/7/2017	12/15/2017
530483	4VZVU1E97KC084339	2019	KG	DB	4553	S	12/20/2017	1/11/2018
530486	4VZVU1E99JC084874	2018	KG	DB	4531	S	2/6/2018	2/14/2018
530488	4VZVU1E99KC084343	2019	KG	DB	4531	S	2/5/2018	2/12/2018
530489	4VZVU1E99JC084938	2018	KG	DB	4531	S	3/2/2018	3/9/2018
530490	4VZVU1E92JC085381	2018	KG	DB	4553	S	4/5/2018	4/12/2018
530491	4VZVU1E95JC085018	2018	KG	DB	4531	S	3/29/2018	4/6/2018
530492	4VZVU1E93JC085261	2018	KG	DB	4531	S	4/3/2018	4/10/2018
530493	4VZVU1E91JC085405	2018	KG	DB	4533	S	4/12/2018	4/19/2018
530495	4VZVU1E91JC085470	2018	KG	DB	4531	S	4/25/2018	5/2/2018
530496	4VZVU1E92KC085382	2019	KG	DB	4549	S	5/2/2018	5/9/2018
530497	4VZVU1E93KC085519	2019	KG	DB	4531	S	5/9/2018	5/18/2018
530498	4VZVU1E9XKC085520	2019	KG	DB	4534	S	5/18/2018	5/25/2018
530499	4VZVU1E91KC085521	2019	KG	DB	4549	S	5/24/2018	6/4/2018
530503	4VZVU1E93KC085598	2019	KG	DB	4531	S	6/1/2018	6/11/2018
530507	4VZVU1E96KC086227	2019	KG	DB	4549	S	10/1/2018	10/8/2018
530510	4VZVU1E94KC086372	2019	KG	DB	4531	S	10/31/2018	11/7/2018
530514	4VZVU1E97KC086320	2019	KG	DB	4531	S	12/20/2018	1/11/2019
530517	4VZVU1E95KC086770	2019	KG	DB	4553	S	2/14/2019	2/21/2019
530520	4VZVU1E99KC086738	2019	KG	DB	4553	S	1/14/2019	1/21/2019
530526	4VZVU1E98KC086472	2019	KG	DB	4531	S	11/9/2018	11/16/2018
530527	4VZVU1E92KC086225	2019	KG	DB	4549	S	9/21/2018	9/28/2018
530528	4VZVU1E93KC085522	2019	KG	DB	4546	S	6/7/2018	6/14/2018
530529	4VZVU1E96KC085806	2019	KG	DB	4553	S	7/12/2018	7/19/2018
530532	4VZVU1E9XKC085713	2019	KG	DB	4531	S	6/18/2018	6/25/2018
530533	4VZVU1E93KC085942	2019	KG	DB	4534	S	8/16/2018	8/23/2018
530534	4VZVU1E98KC085712	2019	KG	DB	4531	S	6/13/2018	6/21/2018
530535	4VZVU1E98KC086259	2019	KG	DB	4531	S	10/10/2018	10/17/2018
530537	4VZVU1E94KC086694	2019	KG	DB	4549	S	1/11/2019	1/18/2019
530539	4VZVU1E90KC086739	2019	KG	DB	4553	S	1/18/2019	1/25/2019
530541	4VZVU1E97KC085734	2019	KG	DB	4553	S	7/10/2018	7/18/2018
530542	4VZVU1E90KC085820	2019	KG	DB	4531	S	7/19/2018	7/26/2018
530543	4VZVU1E97KC085880	2019	KG	DB	4531	S	8/3/2018	8/10/2018
530544	4VZVU1E97KC086074	2019	KG	DB	4533	S	8/21/2018	8/29/2018
530545	4VZVU1E90KC085879	2019	KG	DB	4534	S	7/26/2018	8/3/2018
530546	4VZVU1E92KC086371	2019	KG	DB	4598	S	11/1/2018	11/8/2018
530547	4VZVU1E99KC085914	2019	KG	DB	4533	S	8/9/2018	8/16/2018
530548	4VZVU1E94KC086159	2019	KG	DB	4533	S	9/14/2018	9/21/2018
530549	4VZVU1E93KC086119	2019	KG	DB	4550	S	8/28/2018	9/5/2018
530551	4VZVU1E90KC086160	2019	KG	DB	4553	S	9/18/2018	9/25/2018
530553	4VZVU1E99KC086142	2019	KG	DB	4553	S	9/7/2018	9/14/2018
530554	4VZVU1E92KC086354	2019	KG	DB	4531	S	10/22/2018	10/29/2018
530555	4VZVU1E94KC086260	2019	KG	DB	4531	S	10/15/2018	10/22/2018
530556	4VZVU1E94KC086355	2019	KG	DB	4534	S	10/26/2018	11/2/2018

Prod#	VIN Number	Year	Brand	Type	Floor	Chassis	Date In	Date Off
530557	4VZVU1E9XKC086523	2019	KG	DB	4531	S	11/13/2018	11/20/2018
530559	4VZVU1E93KC086587	2019	KG	DB	4531	S	11/30/2018	12/7/2018
530560	4VZVU1E95KC086588	2019	KG	DB	4553	S	12/6/2018	12/13/2018
530561	4VZVU1E98KC086522	2019	KG	DB	4531	S	11/14/2018	11/21/2018
530562	4VZVU1E96KC086471	2019	KG	DB	4549	S	11/5/2018	11/12/2018
530563	4VZVU1E91KC086586	2019	KG	DB	4534	S	12/4/2018	12/11/2018
530564	4VZVU1E9XKC086585	2019	KG	DB	4531	S	11/26/2018	12/3/2018
530565	4VZVU1E97KC086625	2019	KG	DB	4531	S	12/11/2018	12/18/2018
530566	4VZVU1E95KC086669	2019	KG	DB	4533	S	12/13/2018	1/7/2019
530567	4VZVU1E93KC086928	2019	KG	DB	4553	S	3/6/2019	3/13/2019
530568	4VZVU1E92LC086324	2020	KG	DB	4549	S	11/29/2018	12/6/2018
530569	4VZVU1E99KC086626	2019	KG	DB	4553	S	1/8/2019	1/15/2019
530570	4VZVU1E9XKC086814	2019	KG	DB	4534	S	1/24/2019	2/4/2019
530571	4VZVU1E99KC086769	2019	KG	DB	4533	S	2/4/2019	2/12/2019
530572	4VZVU1E92KC086824	2019	KG	DB	4534	S	2/22/2019	3/4/2019
530573	4VZVU1E91KC086927	2019	KG	DB	4549	S	3/27/2019	4/5/2019
530574	4VZVU1E95KC086929	2019	KG	DB	4533	S	3/8/2019	3/15/2019
530575	4VZVU1E91LC086329	2020	KG	DB	4531	S	2/11/2019	2/18/2019
530576	4VZVU1E90KC086823	2019	KG	DB	4533	S	2/15/2019	2/22/2019
530578	4VZVU1E97KC086771	2019	KG	DB	4531	S	3/4/2019	3/11/2019
530580	4VZVU1E96KC086972	2019	KG	DB	4553	S	3/13/2019	3/20/2019
530581	4VZVU1E96KC086888	2019	KG	DB	4534	S	3/18/2019	3/25/2019
530583	4VZVU1E9XKC086926	2019	KG	DB	4553	S	3/21/2019	3/28/2019
801237	4VZVU1E96JC082872	2018	EX	DP	4531	S	3/22/2017	3/30/2017
801238	4UZFTFG2JCJD9867	2018	EX	DP	4536	FL	2/6/2017	2/13/2017
801239	4VZVU1E90JC082866	2018	EX	DP	4537	S	2/14/2017	2/21/2017
801248	4UZFTFG7JCJR6604	2018	EX	DP	4553	FL	5/19/2017	6/1/2017
801249	4VZVU1E92JC084442	2018	EX	DP	4553	S	10/16/2017	10/24/2017
801250	4VZVU1E99JC083787	2018	EX	DP	4531	S	6/21/2017	6/29/2017
801251	4VZVU1E99JC084678	2018	EX	DP	4553	S	11/21/2017	12/1/2017
801252	4VZVU1E93JC084739	2018	EX	DP	4531	S	12/6/2017	12/13/2017
801253	4UZFTFG7JCJR3945	2018	EX	DP	4531	FL	6/15/2017	6/23/2017
801254	4VZVU1E98JC083778	2018	EX	DP	4531	S	6/7/2017	6/15/2017
801255	4VZVU1E96JC084010	2018	EX	DP	4534	S	7/28/2017	8/9/2017
801256	4UZFTFG3JCS6792	2018	EX	DP	4531	FL	6/28/2017	7/14/2017
801257	4VZVU1E99JC083899	2018	EX	DP	4553	S	7/11/2017	7/19/2017
801258	4VZVU1E93JC084076	2018	EX	DP	4531	S	8/18/2017	8/25/2017
801259	4VZVU1E91JC084075	2018	EX	DP	4531	S	8/4/2017	8/11/2017
801260	4VZVU1E9XJC084396	2018	EX	DP	4553	S	9/20/2017	9/27/2017
801261	4UZFTFG5JCJT8412	2018	EX	DP	4531	FL	8/10/2017	8/18/2017
801262	4UZFTFG0JCJX3648	2018	EX	DP	4531	FL	10/18/2017	10/26/2017
801263	4VZVU1E99JC083952	2018	EX	DP	4531	S	7/19/2017	7/27/2017
801265	4VZVU1E91JC084254	2018	EX	DP	4531	S	9/5/2017	9/13/2017
801266	4UZFTFG0JCJT1853	2018	EX	DP	4553	FL	8/2/2017	8/10/2017
801268	4UZFTFG3JCJU2250	2018	EX	DP	4531	FL	8/22/2017	8/30/2017
801269	4VZVU1E91JC084738	2018	EX	DP	4553	S	11/29/2017	12/7/2017
801270	4VZVU1E99JC084406	2018	EX	DP	4531	S	9/29/2017	10/6/2017
801271	4VZVU1E97JC084419	2018	EX	DP	4534	S	10/5/2017	10/13/2017

Prod#	VIN Number	Year	Brand	Type	Floor	Chassis	Date In	Date Off
801272	4VZVU1E90JC084441	2018	EX	DP	4533	S	10/11/2017	10/19/2017
801273	4UZFG0JCU5039	2018	EX	DP	4534	FL	9/13/2017	9/20/2017
801274	4VZVU1E9XJC084334	2018	EX	DP	4553	S	9/14/2017	9/22/2017
801276	4UZFG4JCX9212	2018	EX	DP	4531	FL	11/10/2017	11/20/2017
801277	4UZFGXJCX7058	2018	EX	DP	4533	FL	10/26/2017	11/3/2017
801281	4VZVU1E9XJC084740	2018	EX	DP	4553	S	12/8/2017	12/18/2017
801283	4VZVU1E93JC084871	2018	EX	DP	4553	S	1/17/2018	1/25/2018
801284	4VZVU1E95JC084936	2018	EX	DP	4534	S	2/22/2018	3/1/2018
801285	4VZVU1E91JC084805	2018	EX	DP	4531	S	1/16/2018	1/23/2018
801286	4VZVU1E93JC084935	2018	EX	DP	4531	S	1/30/2018	2/7/2018
801287	4VZVU1E95JC084872	2018	EX	DP	4531	S	1/22/2018	1/29/2018
801289	4VZVU1E97JC084677	2018	EX	DP	4553	S	11/8/2017	11/15/2017
801290	4VZVU1E91JC085467	2018	EX	DP	4553	S	4/19/2018	4/26/2018
801292	4UZFG6JCJY4069	2018	EX	DP	4533	FL	2/9/2018	2/16/2018
801293	4VZVU1E91JC084934	2018	EX	DP	4531	S	1/26/2018	2/2/2018
801295	4VZVU1E95KC084338	2019	EX	DP	4551	S	1/10/2018	1/17/2018
801296	4VZVU1E91JC085016	2018	EX	DP	4531	S	3/15/2018	3/22/2018
801297	4UZFG7JCKA9346	2018	EX	DP	4531	FL	2/19/2018	2/26/2018
801298	4VZVU1E98JC084994	2018	EX	DP	4534	S	2/26/2018	3/6/2018
801299	4UZFG6KCJY2517	2019	EX	DP	4543	FL	2/12/2018	2/19/2018
801300	4UZFG9JCKA9347	2018	EX	DP	4531	FL	4/9/2018	4/16/2018
801301	4VZVU1E90JC085038	2018	EX	DP	4531	S	3/23/2018	4/2/2018
801302	4VZVU1E93JC085468	2018	EX	DP	4534	S	4/27/2018	5/4/2018
801303	4VZVU1E91JC085078	2018	EX	DP	4531	S	3/27/2018	4/4/2018
801304	4UZFG9KCKH5494	2019	EX	DP	4551	FL	5/3/2018	5/14/2018
801305	4UZFG6KCKD1274	2018	EX	DP	4531	FL	5/7/2018	5/16/2018
801306	4VZVU1E95KC085523	2019	EX	DP	4551	S	5/16/2018	5/23/2018
801307	4VZVU1E94KC085710	2019	EX	DP	4579	S	5/21/2018	5/29/2018
801310	4UZFG0KCKP1001	2019	EX	DP	4579	FL	5/29/2018	6/6/2018
801311	4UZFG7KCKP8429	2019	EX	DP	4543	FL	7/13/2018	7/23/2018
801314	4UZFGXKCKV2407	2019	EX	DP	4551	FL	10/8/2018	10/15/2018
801315	4UZFG3KCKV2409	2019	EX	DP	4579	FL	10/16/2018	10/23/2018
801316	4UZFG1KCKV2408	2019	EX	DP	4543	FL	10/12/2018	10/19/2018
801323	4UZFG0KCLM7445	2019	EX	DP	4551	FL	3/25/2019	4/1/2019
801326	4VZVU1E96KC085711	2019	EX	DP	4551	S	6/4/2018	6/12/2018
801327	4UZFG1KCLH6612	2019	EX	DP	4551	FL	11/21/2018	11/30/2018
801328	4UZFG3KCKS5470	2019	EX	DP	4543	FL	8/13/2018	8/20/2018
801332	4VZVU1E99KC086058	2019	EX	DP	4534	S	8/31/2018	9/10/2018
801333	4VZVU1E93KC085732	2019	EX	DP	4551	S	6/12/2018	6/19/2018
801334	4VZVU1E92KC085754	2019	EX	DP	4551	S	6/25/2018	7/10/2018
801335	4VZVU1E93KC086072	2019	EX	DP	4534	S	9/19/2018	9/26/2018
801337	4VZVU1E94KC085805	2019	EX	DP	4543	S	7/23/2018	7/30/2018
801338	4VZVU1E94KC085819	2019	EX	DP	4543	S	7/31/2018	8/7/2018
801339	4UZFGXKCKU9216	2019	EX	DP	4551	FL	9/11/2018	9/18/2018
801340	4VZVU1E95KC086073	2019	EX	DP	4579	S	9/24/2018	10/1/2018
801341	4VZVU1E94KC086470	2019	EX	DP	4543	S	11/7/2018	11/14/2018
801342	4VZVU1E99KC086223	2019	EX	DP	4551	S	10/3/2018	10/10/2018
801343	4VZVU1E92KC086158	2019	EX	DP	4551	S	9/27/2018	10/4/2018

Prod#	VIN Number	Year	Brand	Type	Floor	Chassis	Date In	Date Off
801344	4UZFCFTGKCLG5222	2019	EX	DP	4533	FL	10/24/2018	10/31/2018
801345	4VZVU1E99KC086318	2019	EX	DP	4551	S	10/29/2018	11/5/2018
801347	4UZFCFTG6KCLG5587	2019	EX	DP	4551	FL	11/15/2018	11/27/2018
801348	4VZVU1E97KC086737	2019	EX	DP	4533	S	1/9/2019	1/16/2019
801349	4VZVU1E97KC086768	2019	EX	DP	4551	S	1/16/2019	1/23/2019
801350	4VZVU1E93KC086735	2019	EX	DP	4551	S	12/5/2018	12/12/2018
801351	4VZVU1E95KC086736	2019	EX	DP	4579	S	12/18/2018	1/9/2019
801352	4VZVU1E98KC086813	2019	EX	DP	4551	S	1/22/2019	1/29/2019
801353	4UZFCFTG3LCLL5968	2020	EX	DP	4533	FL	12/12/2018	12/19/2018
801354	4VZVU1E92KC086886	2019	EX	DP	4543	S	2/6/2019	2/13/2019
801355	4UZFCFTGKCLJ4372	2019	EX	DP	4543	FL	2/20/2019	2/27/2019
801356	4VZVU1E98LC086327	2020	EX	DP	4569	S	1/29/2019	2/7/2019
801357	4UZFCFTG5KCLL3556	2019	EX	DP	4551	FL	2/27/2019	3/7/2019
904519	4VZVU1E97JC082864	2018	MA	DP	4537	S	12/12/2016	12/19/2016
904526	4VZVU1E98JC083201	2018	MA	DP	4047	S	2/27/2017	3/6/2017
904527	4UZFCFTBG9JJD9872	2018	MA	DP	4536	FL	2/15/2017	2/23/2017
904534	4VZVU1E93JC083736	2018	MA	DP	4047	S	5/22/2017	6/2/2017
904535	4VZVU1E93JC083767	2018	MA	DP	4047	S	5/24/2017	6/6/2017
904536	4VZVU1E92JC083789	2018	MA	DP	4047	S	6/14/2017	6/22/2017
904537	4VZVU1E9XJC084219	2018	MA	DP	4553	S	9/7/2017	9/15/2017
904538	4VZVU1E94JC084992	2018	MA	DP	4531	S	3/6/2018	3/14/2018
904539	4VZVU1E98JC084185	2018	MA	DP	4553	S	8/29/2017	9/7/2017
904540	4VZVU1E92JC083775	2018	MA	DP	4531	S	6/16/2017	6/26/2017
904541	4VZVU1E96JC083780	2018	MA	DP	4047	S	6/6/2017	6/14/2017
904542	4VZVU1E9XJC083880	2018	MA	DP	4531	S	7/18/2017	7/25/2017
904543	4VZVU1E91JC084013	2018	MA	DP	4047	S	8/1/2017	8/9/2017
904544	4VZVU1E94JC084393	2018	MA	DP	4537	S	10/2/2017	10/10/2017
904546	4VZVU1E94JC083955	2018	MA	DP	4047	S	6/22/2017	7/10/2017
904550	4UZFCFTBG6JCR6373	2018	MA	DP	4553	FL	8/22/2017	8/29/2017
904551	4VZVU1E95JC084399	2018	MA	DP	4047	S	9/18/2017	9/26/2017
904552	4VZVU1E98JC083781	2018	MA	DP	4047	S	6/8/2017	6/16/2017
904553	4VZVU1E98JC084008	2018	MA	DP	4553	S	7/19/2017	7/27/2017
904554	4VZVU1E97JC084307	2018	MA	DP	4047	S	9/11/2017	9/18/2017
904555	4VZVU1E98JC084073	2018	MA	DP	4047	S	7/26/2017	8/3/2017
904556	4UZFCFTBG6JCR3943	2018	MA	DP	4531	FL	8/8/2017	8/16/2017
904559	4VZVU1E9XJC084012	2018	MA	DP	4047	S	7/14/2017	7/24/2017
904561	4VZVU1E91JC084674	2018	MA	DP	4047	S	11/30/2017	12/7/2017
904562	4VZVU1E92JC084246	2018	MA	DP	4047	S	9/5/2017	9/12/2017
904563	4VZVU1E93JC084014	2018	MA	DP	4047	S	7/20/2017	7/28/2017
904564	4VZVU1E90JC084410	2018	MA	DP	4047	S	10/3/2017	10/11/2017
904565	4VZVU1E98JC083764	2018	MA	DP	4531	S	6/12/2017	6/21/2017
904566	4VZVU1E99JC084308	2018	MA	DP	4047	S	9/14/2017	9/21/2017
904567	4VZVU1E94JC083776	2018	MA	DP	4531	S	6/23/2017	7/12/2017
904568	4VZVU1E90JC084732	2018	MA	DP	4531	S	12/11/2017	12/19/2017
904569	4VZVU1E97JC084078	2018	MA	DP	4047	S	7/24/2017	8/1/2017
904570	4VZVU1E99JC084731	2018	MA	DP	4531	S	12/6/2017	12/14/2017
904571	4VZVU1E90JC084178	2018	MA	DP	4553	S	8/23/2017	8/31/2017
904572	4VZVU1E90JC084438	2018	MA	DP	4531	S	10/30/2017	11/7/2017



Prod#	VIN Number	Year	Brand	Type	Floor	Chassis	Date In	Date Off
904573	4VZVU1E99JC084423	2018	MA	DP	4047	S	10/5/2017	10/13/2017
904574	4UZFBTGB3JCS2411	2018	MA	DP	4535	FL	9/12/2017	9/20/2017
904575	4VZVU1E97JC084405	2018	MA	DP	4535	S	10/9/2017	10/17/2017
904576	4VZVU1E9XJC084186	2018	MA	DP	4047	S	8/23/2017	8/31/2017
904577	4VZVU1E94JC084409	2018	MA	DP	4047	S	9/25/2017	10/2/2017
904578	4VZVU1E90JC084522	2018	MA	DP	4047	S	11/13/2017	11/21/2017
904579	4VZVU1E93JC084417	2018	MA	DP	4553	S	10/12/2017	10/20/2017
904580	4UZFBTGB1JCJY7208	2018	MA	DP	4531	FL	11/28/2017	12/6/2017
904581	4UZFBTGB8JCZZ2509	2018	MA	DP	4553	FL	9/7/2017	9/14/2017
904582	4VZVU1E97JC084808	2018	MA	DP	4047	S	12/14/2017	1/8/2018
904586	4VZVU1E96JC084332	2018	MA	DP	4553	S	9/26/2017	10/4/2017
904588	4VZVU1E95JC084404	2018	MA	DP	4531	S	10/6/2017	10/16/2017
904591	4UZFBTGB5JCJX7054	2018	MA	DP	4537	FL	11/9/2017	11/17/2017
904592	4VZVU1E90JC084603	2018	MA	DP	4534	S	11/6/2017	11/13/2017
904593	4UZFBTGB7JCJX7055	2018	MA	DP	4534	FL	11/15/2017	11/27/2017
904594	4UZFBTGB7JCJU4895	2018	MA	DP	4533	FL	10/20/2017	10/30/2017
904595	4VZVU1E92JC084439	2018	MA	DP	4533	S	11/3/2017	11/13/2017
904596	4VZVU1E96JC084668	2018	MA	DP	4531	S	11/16/2017	11/28/2017
904597	4VZVU1E95JC084418	2018	MA	DP	4531	S	10/18/2017	10/26/2017
904598	4UZFBTGB1JCJX3647	2018	MA	DP	4531	FL	10/25/2017	11/2/2017
904599	4UZFBTGB1JCJT5531	2018	MA	DP	4531	FL	10/13/2017	10/23/2017
904600	4VZVU1E98JC084641	2018	MA	DP	4553	S	11/15/2017	11/27/2017
904601	4UZFBTGB1JCKC6925	2018	MA	DP	4531	FL	2/5/2018	2/13/2018
904602	4VZVU1E93JC084675	2018	MA	DP	4047	S	12/4/2017	12/12/2017
904603	4VZVU1E94JC084443	2018	MA	DP	4047	S	10/30/2017	11/7/2017
904604	4VZVU1E90JC084875	2018	MA	DP	4047	S	1/24/2018	2/1/2018
904605	4VZVU1E92JC084733	2018	MA	DP	4553	S	12/19/2017	1/11/2018
904606	4VZVU1E93JC084997	2018	MA	DP	4047	S	3/14/2018	3/21/2018
904608	4VZVU1E98JC084820	2018	MA	DP	4047	S	1/19/2018	1/26/2018
904609	4UZFBTGB7JCJY9450	2018	MA	DP	4531	FL	1/19/2018	1/29/2018
904611	4VZVU1E93JC084742	2018	MA	DP	4047	S	1/11/2018	1/19/2018
904612	4VZVU1E97JC085019	2018	MA	DP	4047	S	4/4/2018	4/11/2018
904613	4VZVU1E94JC085091	2018	MA	DP	4531	S	4/12/2018	4/19/2018
904614	4VZVU1E95JC084869	2018	MA	DP	4531	S	2/7/2018	2/14/2018
904615	4VZVU1E92JC084876	2018	MA	DP	4047	S	2/14/2018	2/21/2018
904619	4VZVU1E96JC084931	2018	MA	DP	4553	S	2/21/2018	3/1/2018
904620	4UZFBTGB0JCKC1022	2018	MA	DP	4531	FL	1/30/2018	2/6/2018
904621	4VZVU1E91JC085033	2018	MA	DP	4534	S	3/12/2018	3/19/2018
904622	4VZVU1E97JC084730	2018	MA	DP	4535	S	11/28/2017	12/5/2017
904624	4VZVU1E9XJC084818	2018	MA	DP	4531	S	1/17/2018	1/24/2018
904625	4VZVU1E98JC084817	2018	MA	DP	4531	S	1/12/2018	1/22/2018
904626	4VZVU1E91JC084870	2018	MA	DP	4531	S	2/13/2018	2/20/2018
904628	4VZVU1E93JC085034	2018	MA	DP	4553	S	3/19/2018	3/27/2018
904629	4VZVU1A96KC084337	2019	MA	DP	4579	S	1/23/2018	1/30/2018
904630	4VZVU1E92JC084991	2018	MA	DP	4553	S	2/27/2018	3/6/2018
904631	4UZFBTGB8KCKF8627	2018	MA	DP	4531	FL	3/27/2018	4/4/2018
904632	4VZVU1E98JC085448	2018	MA	DP	4047	S	4/5/2018	4/13/2018
904634	4VZVU1E90JC084990	2018	MA	DP	4533	S	2/28/2018	3/8/2018

Prod#	VIN Number	Year	Brand	Type	Floor	Chassis	Date In	Date Off
904635	4VZVU1E94KC084556	2019	MA	DP	4018	S	2/7/2018	2/15/2018
904636	4VZVU1E9XJC085466	2018	MA	DP	4047	S	4/26/2018	5/3/2018
904637	4VZVU1E98JC085532	2018	MA	DP	4047	S	5/17/2018	5/25/2018
904638	4VZVU1E92JC085090	2018	MA	DP	4533	S	3/28/2018	4/5/2018
904640	4UZFACTBG6KCKM9901	2018	MA	DP	4531	FL	5/15/2018	5/22/2018
904641	4VZVU1E92KC084345	2019	MA	DP	4550	S	2/16/2018	2/26/2018
904642	4VZVU1E92JC085574	2018	MA	DP	4553	S	5/4/2018	5/15/2018
904643	4VZVU1E93JC085583	2018	MA	DP	4047	S	5/23/2018	5/31/2018
904645	4VZVU1E95JC085035	2018	MA	DP	4531	S	3/21/2018	3/28/2018
904646	4VZVU1E94JC085379	2018	MA	DP	4531	S	4/18/2018	4/25/2018
904648	4VZVU1E94KC085383	2019	MA	DP	4550	S	5/11/2018	5/21/2018
904650	4VZVU1E90KC086157	2019	MA	DP	4018	S	9/25/2018	10/2/2018
904651	4VZVU1E95KC086008	2019	MA	DP	4551	S	9/6/2018	9/13/2018
904652	4UZFACTBG6KCKK3685	2019	MA	DP	4579	FL	5/23/2018	6/1/2018
904653	4VZVU1E9XKC086070	2019	MA	DP	4018	S	9/5/2018	9/11/2018
904654	4UZFACTBG9KCLJ4367	2019	MA	DP	4551	FL	12/6/2018	12/13/2018
904655	4UZFACTBG8KCKT1495	2019	MA	DP	4579	FL	8/1/2018	8/8/2018
904657	4UZFACTBG0KCKW8587	2019	MA	DP	4579	FL	8/28/2018	9/5/2018
904658	4UZFACTBG3KCKW0628	2019	MA	DP	4534	FL	8/24/2018	9/4/2018
904659	4VZVU1E95KC086350	2019	MA	DP	4018	S	10/25/2018	11/1/2018
904660	4VZVU1E93KC086430	2019	MA	DP	4018	S	12/18/2018	1/9/2019
904661	4UZFACTBG1KCKW0627	2019	MA	DP	4551	FL	8/14/2018	8/22/2018
904666	4VZVU1E9XKC085954	2019	MA	DP	4018	S	8/16/2018	8/24/2018
904667	4UZFACTBG7KCKR5270	2019	MA	DP	4551	FL	7/24/2018	7/31/2018
904669	4UZFACTBG6KCLE9945	2019	MA	DP	4579	FL	10/15/2018	10/22/2018
904670	4VZVU1E93KC085875	2019	MA	DP	4551	S	7/20/2018	7/27/2018
904672	4VZVU1E95KC086767	2019	MA	DP	4018	S	1/29/2019	2/7/2019
904674	4UZFACTBG2KCLM2754	2019	MA	DP	4551	FL	3/12/2019	3/19/2019
904675	4VZVU1E94KC086369	2019	MA	DP	4018	S	10/30/2018	11/6/2018
904676	4UZFACTBG6KCKP8427	2019	MA	DP	4551	FL	7/25/2018	8/2/2018
904680	4UZFACTBG0KCLJ4368	2019	MA	DP	4551	FL	12/12/2018	12/20/2018
904682	4VZVU1E96KC086258	2019	MA	DP	4551	S	10/9/2018	10/16/2018
904684	4VZVU1E92KC085706	2019	MA	DP	4551	S	6/4/2018	6/12/2018
904685	4VZVU1E91KC085910	2019	MA	DP	4534	S	8/10/2018	8/17/2018
904686	4VZVU1E97KC086883	2019	MA	DP	4018	S	2/21/2019	3/1/2019
904689	4UZFACTBG3KCKN3307	2019	MA	DP	4543	FL	7/11/2018	7/19/2018
904690	4VZVU1E91KC086071	2019	MA	DP	4018	S	9/19/2018	9/26/2018
904691	4VZVU1E95KC086428	2019	MA	DP	4018	S	11/9/2018	11/16/2018
904692	4VZVU1E95KC085876	2019	MA	DP	4551	S	7/27/2018	8/3/2018
904693	4UZFACTBG4KCKN3302	2019	MA	DP	4550	FL	6/21/2018	7/9/2018
904694	4VZVU1E92KC086466	2019	MA	DP	4543	S	11/20/2018	11/29/2018
904695	4VZVU1E94KC086923	2019	MA	DP	4551	S	3/28/2019	4/4/2019
904696	4VZVU1E93KC086315	2019	MA	DP	4018	S	10/2/2018	10/9/2018
904697	4VZVU1E94KC085707	2019	MA	DP	4550	S	6/8/2018	6/15/2018
904698	4UZFACTBG3KCKY4640	2019	MA	DP	4535	FL	9/25/2018	10/2/2018
904699	4VZVU1E95KC086140	2019	MA	DP	4535	S	9/26/2018	10/3/2018
904700	4VZVU1E91KC086622	2019	MA	DP	4543	S	12/4/2018	12/11/2018
904701	4VZVU1E97KC086057	2019	MA	DP	4550	S	9/12/2018	9/19/2018

Prod#	VIN Number	Year	Brand	Type	Floor	Chassis	Date In	Date Off
904702	4VZVU1E9XKC085730	2019	MA	DP	4551	S	6/14/2018	6/21/2018
904703	4VZVU1E9XKC085940	2019	MA	DP	4579	S	8/15/2018	8/22/2018
904704	4VZVU1E94KC086257	2019	MA	DP	4018	S	9/28/2018	10/5/2018
904705	4VZVU1E93KC086623	2019	MA	DP	4550	S	12/14/2018	1/7/2019
904706	4VZVU1E96KC086812	2019	MA	DP	4579	S	1/24/2019	2/4/2019
904707	4VZVU1E97KC085751	2019	MA	DP	4543	S	6/22/2018	7/9/2018
904708	4VZVU1E91KC086667	2019	MA	DP	4018	S	12/19/2018	1/10/2019
904712	4UZFACTBG4KCLM2755	2019	MA	DP	4543	FL	2/25/2019	3/4/2019
904715	4VZVU1E95KC086316	2019	MA	DP	4018	S	10/11/2018	10/18/2018
904716	4VZVU1E92KC085799	2019	MA	DP	4018	S	6/27/2018	7/12/2018
904718	4VZVU1E92KC085818	2019	MA	DP	4018	S	6/28/2018	7/16/2018
904719	4VZVU1E95KC085800	2019	MA	DP	4551	S	7/10/2018	7/17/2018
904720	4UZFACTBG0KCKU9215	2019	MA	DP	4543	FL	8/2/2018	8/9/2018
904722	4VZVU1E97KC085801	2019	MA	DP	4551	S	7/17/2018	7/25/2018
904723	4VZVU1E95KC085909	2019	MA	DP	4018	S	8/8/2018	8/15/2018
904724	4UZFACTBG4KCKT4278	2019	MA	DP	4543	FL	7/31/2018	8/8/2018
904726	4UZFACTBG9KCKW8586	2019	MA	DP	4551	FL	8/30/2018	9/7/2018
904727	4UZFACTBG3KCKV7325	2019	MA	DP	4551	FL	8/14/2018	8/21/2018
904728	4VZVU1E90KC086370	2019	MA	DP	4018	S	10/31/2018	11/7/2018
904729	4VZVU1E97KC086317	2019	MA	DP	4551	S	11/2/2018	11/9/2018
904730	4VZVU1E95KC086624	2019	MA	DP	4535	S	1/14/2019	1/21/2019
904731	4VZVU1E9XKC086733	2019	MA	DP	4018	S	1/10/2019	1/17/2019
904732	4UZFACTBG0KCLG5221	2019	MA	DP	4543	FL	10/23/2018	10/30/2018
904733	4VZVU1E97KC086222	2019	MA	DP	4551	S	10/3/2018	10/10/2018
904734	4UZFACTBG5KCKY4641	2019	MA	DP	4534	FL	10/4/2018	10/11/2018
904735	4UZFACTBG0KCLH6610	2019	MA	DP	4543	FL	11/5/2018	11/12/2018
904737	4UZFACTBG9KCLG5573	2019	MA	DP	4551	FL	10/24/2018	10/31/2018
904738	4VZVU1E97KC086429	2019	MA	DP	4018	S	12/7/2018	12/17/2018
904739	4UZFACTBG6KCLL3555	2019	MA	DP	4551	FL	12/3/2018	12/10/2018
904741	4UZFACTBG9KCLJ4370	2019	MA	DP	4551	FL	2/4/2019	2/11/2019
904742	4VZVU1E94KC086467	2019	MA	DP	4534	S	11/29/2018	12/6/2018
904743	4UZFACTBG2KCLJ4369	2019	MA	DP	4551	FL	12/20/2018	1/11/2019
904744	4VZVU1E98KC086827	2019	MA	DP	4018	S	2/5/2019	2/12/2019
904745	4VZVU1E99KC086996	2019	MA	DP	4018	S	3/26/2019	4/2/2019
904746	4VZVU1E92KC086970	2019	MA	DP	4551	S	3/15/2019	3/25/2019
904748	4VZVU1E99KC086884	2019	MA	DP	4550	S	3/6/2019	3/13/2019
904749	4VZVU1E98LC085534	2020	MA	DP	4551	S	1/25/2019	2/5/2019
904750	4VZVU1E9XKC086828	2019	MA	DP	4551	S	2/11/2019	2/18/2019
904751	4UZFACTBG6KCLM2756	2019	MA	DP	4533	FL	3/14/2019	3/22/2019
904752	4VZVU1E98LC086330	2020	MA	DP	4002	S	2/7/2019	2/15/2019
904754	4VZVU1E96KC086969	2019	MA	DP	4551	S	3/20/2019	3/27/2019

Prod#	VIN Number	Year	Brand	Type	Floor	Chassis	Date In	Date Off
<b>Canadian Units</b>								
530457	4VZVU1E91JC084187	2018	KG	DB	4598	S	8/25/2017	9/5/2017
530469	4VZVU1E98JC084736	2018	KG	DB	4553	S	12/12/2017	12/20/2017
530477	4VZVU1E94JC084555	2018	KG	DB	4533	S	11/8/2017	11/16/2017
530484	4VZVU1E93JC085017	2018	KG	DB	4531	S	3/13/2018	3/20/2018
530485	4VZVU1E9XJC084995	2018	KG	DB	4534	S	3/6/2018	3/13/2018
530487	4VZVU1E91JC084996	2018	KG	DB	4534	S	3/9/2018	3/16/2018
530494	4VZVU1E95JC085469	2018	KG	DB	4534	S	4/16/2018	4/23/2018
530501	4VZVU1E90KC086143	2019	KG	DB	4534	S	9/12/2018	9/19/2018
530525	4VZVU1E90KC086319	2019	KG	DB	4553	S	10/18/2018	10/25/2018
530531	4VZVU1E97KC085913	2019	KG	DB	4534	S	8/7/2018	8/14/2018
530538	4VZVU1E95KC085733	2019	KG	DB	4549	S	6/20/2018	6/28/2018
530540	4VZVU1E91KC085714	2019	KG	DB	4553	S	6/28/2018	7/13/2018
530550	4VZVU1E97KC086141	2019	KG	DB	4553	S	9/5/2018	9/12/2018
530552	4VZVU1E94KC086226	2019	KG	DB	4534	S	9/26/2018	10/3/2018
530558	4VZVU1E98KC086584	2019	KG	DB	4553	S	11/19/2018	11/28/2018
801264	4VZVU1E9XJC084009	2018	EX	DP	4531	S	7/26/2017	8/2/2017
801267	4VZVU1E98JC084087	2018	EX	DP	4553	S	8/28/2017	9/6/2017
801282	4VZVU1E91JC084741	2018	EX	DP	4553	S	12/21/2017	1/15/2018
801288	4VZVU1E95JC084676	2018	EX	DP	4534	S	11/2/2017	11/10/2017
801294	4VZVU1E99JC085037	2018	EX	DP	4534	S	3/19/2018	3/26/2018
801308	4VZVU1E90KC086224	2019	EX	DP	4534	S	10/5/2018	10/12/2018
801329	4VZVU1E95KC085912	2019	EX	DP	4543	S	8/23/2018	8/30/2018
801346	4VZVU1E96KC086583	2019	EX	DP	4533	S	11/29/2018	12/6/2018
904547	4UZFACTBG1JCS8465	2018	MA	DP	4531	FL	9/20/2017	9/28/2017
904549	4VZVU1E94JC084331	2018	MA	DP	4534	S	9/21/2017	9/29/2017
904557	4VZVU1E91JC084156	2018	MA	DP	4047	S	8/15/2017	8/22/2017
904583	4UZFACTBG6JCU2247	2018	MA	DP	4533	FL	10/17/2017	10/25/2017
904584	4VZVU1E96JC084153	2018	MA	DP	4553	S	8/4/2017	8/14/2017
904585	4UZFACTBG2JCR8346	2018	MA	DP	4531	FL	8/30/2017	9/8/2017
904587	4VZVU1E90JC084424	2018	MA	DP	4047	S	10/27/2017	11/6/2017
904607	4VZVU1E97JC084551	2018	MA	DP	4531	S	11/2/2017	11/10/2017
904616	4UZFACTBG5JCX0542	2018	MA	DP	4533	FL	10/24/2017	10/31/2017
904633	4VZVU1E95JC085259	2018	MA	DP	4535	S	4/17/2018	4/24/2018
904644	4VZVU1E91JC085582	2018	MA	DP	4047	S	5/22/2018	5/30/2018
904649	4VZVU1E90KC085705	2019	MA	DP	4018	S	6/11/2018	6/18/2018
904662	4UZFACTBG2KCKW8588	2019	MA	DP	4534	FL	9/17/2018	9/24/2018
904677	4VZVU1E95KC085750	2019	MA	DP	4018	S	6/19/2018	6/26/2018
904740	4VZVU1E95KC086882	2019	MA	DP	4018	S	2/6/2019	2/14/2019
904747	4UZFACTFM5LCLL6156	2020	MA	DP	4551	FL	1/11/2019	1/24/2019